



BS PAYLITE

SINGLE PHASE PREPAYMENT METER

Genus BS Paylite* is a prepayment metering solution comprising of Main Control Unit (MCU) and customer Interface Unit (CIU) suitable for residential premises. The complete solution is 20-digit Proprietary CTS/STS compliant. The Communication between MCU and CIU is either wired or wireless. The meter could also be used in stand alone mode without CIU.

FEATURES

MAIN CONTROL UNIT

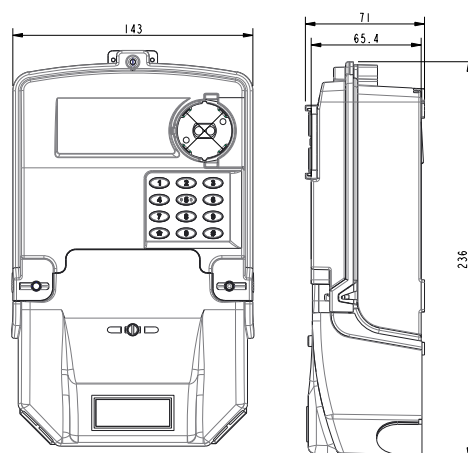
- Robust design
- 20-digit Proprietary CTS/STS compliant decryption
- IP54 compliant meter casing suitable for indoor as well as outdoor installations
- User friendly LCD display allowing consumers to have an access to meter information
- Bi color LED for credit status warning
- LED indication for tamper
- Advanced anti tamper features like Earth load, cover open etc.
- Configurable load limiting feature depending upon the consumer load
- Optical port offered additionally to facilitate the data down loading option for utilities to analyse the meter consumption
- Load disconnect on power fail
- 2-wire galvanically isolated communication with CIU with a distance of minimum 100m (option)
- Wired or Wireless communication with CIU over low power radio frequency (LPRF) (option)

CUSTOMER INTERFACE UNIT

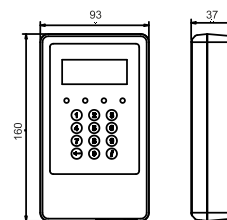
- No additional power requirement to CIU in the case of wired interface.
- In wireless interface, CIU powered with battery back-up
- LCD with alphanumeric digits for displaying energy registers and token messages in user friendly format
- Status information provided through the language independent icons
- 12-digit keypad with audible feedback
- Short Codes for meter functional verification
- CIU beeps on all token messages i.e. low credit, acceptance or rejection of token etc.
- Instantaneous load and historical data on display
- Last five credit tokens entered on display
- User programmable alarm limits and duration
- LED indicators for credit status, load connect/disconnect and consumption rate
- 2-wire polarity independent connection assures easy installation
- 20-digit Proprietary CTS/STS compliant decryption

TECHNICAL SPECIFICATIONS

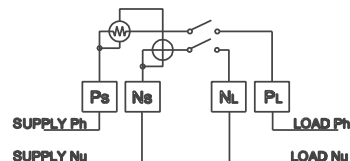
Connection Type	1P, 2W Split Type Pre Payment kWh Meter
Meter Type	Indoor/ Outdoor
Standards	IEC 62052-11, IEC 62053-21, IEC 62055-41 IEC 62055-31, SANS 1524-1, STS
Accuracy Class	Class-1.0
Rated Voltage	230V/240V (-40% to +20%)
Rated Current	5(60A), 10(60A), 20(80A)
Power Factor	Zero (lag)-Unity-Zero(lead)
Starting Current	0.4% Ib
Frequency	50 Hz ± 5%
Power Consumption	Voltage Circuit: <2W / <10VA at rated voltage Current Circuit: <2.5VA at 5A
CIU Display	LCD with Alphanumeric display and status icons
LED indicators in MCU	3 nos. (credit status, Tamper status, calibration)
LED indicators in CIU	4 nos. (credit status, load connect/disconnect, calibration and communication status between MCU & CIU)
MCU Communication ports	Optical Port for Local Communication
MCU- CIU Wired Interface	Galvanically isolated 2-wire interface Communication distance - min 100m
MCU- CIU Wireless Interface	Low power radio frequency (LPRF) interface Frequency bands - 433MHz/868MHz, depending on the license free spectrum available Communication distance - 100m LOS
Battery for Wireless CIU	2 nos AA type (non-rechargeable type) Easily replaceable
Operating Temperature Range	-10°C to +55°C
Storage Temperature Range	-25°C to +70°C
Operating Humidity	Up to 95%, non condensing
IP Rating	IP54
Weight	MCU ~ 0.850 kg CIU ~ 0.260 kg
Dimensions (L x W x H)	MCU ~ 236mm x 143mm x 71mm CIU ~ 160mm x 93mm x 37mm (Option for Enclosure available)



Main Control Unit



Customer Interface Unit



Connection Diagram



Corporate Office:

Genus Power Infrastructures Ltd.

(A Kailash Group Company)

SPL-3, RIICO Industrial Area, Sitapura, Tonk Road, Jaipur-302022, (Raj.), INDIA

T. +91-141-7102400/500 | F. +91-141-2770319, 7102503

Email: metering_exports@genus.in | www.genuspower.com

*Due to continuous technology upgradation, specifications are subject to change without prior notice.