



## SHIKHAR-100

1 PHASE DIRECT CONNECTED METER  
TYPE: P1B-1000 (WITH BLUETOOTH COMMUNICATION)

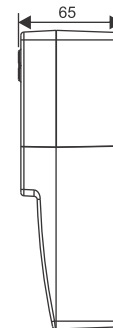
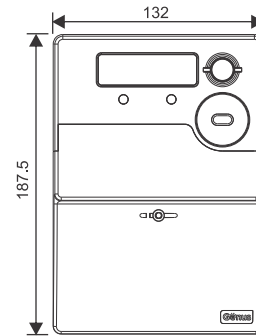
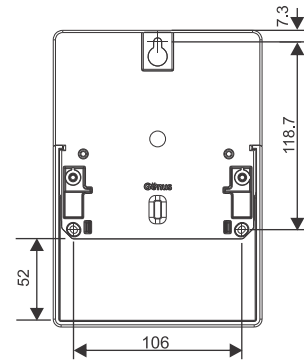
The Shikhar-100\* series of meters are a part of Genus 1 Phase AC Static Direct Connected meter lineup for domestic and commercial applications. This meter consists of a comprehensive array of energy registers phase wise and cumulative - with extensive configurability - a user friendly display and aesthetically appealing housing.

### METER FEATURES

- IEC DLMS compliant
- Four Quadrant Metering
- Field replaceable battery (Optional)
- Forwarded Metering and Net Metering (Import, Export)
- Several configuration options viz. display, alerts, tariffs
- Internationally localized display by virtue of displaying OBIS codes
- Intuitive icons on display indicating Quadrant information, alerts, tariffs and others
- Power quality analysis by harmonic profiling, power interruptions logging, sags and swells
- IEC or ANSI Optical port for local data downloading
- RS232 / RS485 communication with one RJ11 & one RJ45 ports for daisy chaining
- 12 billing histories
- Up to 520 parameter days load survey with 30 minutes integration period
- Selectable Sliding window or block method for demand calculation with programmable integration period
- Seasons with 2 day profiles each, 8 tariff slots for each day profile, active and passive calendar with programmable activation date
- Advanced anti tamper features
- Bluetooth Wireless Communication with Version 4.2 and later
- DLMS / COSEM HDLC Communication Profile for Wireless Communication

## TECHNICAL SPECIFICATIONS

<b>Connection Type</b>	Single phase Two wire Direct Connected
<b>Standards</b>	IEC 62052-11, IEC 62053-21, IEC 62053-23
<b>Accuracy Class</b>	Class-1.0
<b>Rated Voltage</b>	220V, 230V, 240V (+20% to -40%)
<b>Meter Type</b>	Indoor/Outdoor
<b>Rated Current</b>	5(100A), and all intermediate values
<b>Starting Current</b>	0.4% Ib
<b>Frequency</b>	50 Hz ± 5%
<b>Power Consumption</b>	As per IEC 62053-21
<b>Battery</b>	Replaceable lithium battery for RTC with supercap backup Display reading during power off
<b>Meter Constant</b>	1000 imp/kWh, 1000 imp/kVARh
<b>Display</b>	7segment 7 digit STN LCD with Backlight
<b>LED indicators</b>	2 nos.(Active Energy and Reactive Energy)
<b>Communication Ports</b>	Optical Port IEC 62056-21 or ANSI port RJ11 port for RS485 or RS232 1 nos. RJ45 ports for RS485 or RS232
<b>Communication Protocol</b>	IEC62056 DLMS COSEM
<b>Operating Temperature Range</b>	-25 °C to +55 °C
<b>Storage Temperature Range</b>	-40 °C to +70 °C
<b>Operating Humidity</b>	95%, non condensing
<b>Degree of Protection</b>	IP51 & IP54 (optional)
<b>Meter Weight</b>	~1 kg
<b>Dimensions (L x W x H)</b>	187.5mm x 132mm x 65mm
<b>Auxiliary Terminals</b>	Selectable between <b>Pulse outputs:</b> 2 nos. (Up to 250V AC/DC, 150mA), In accordance with IEC62053-31 <b>Pulse inputs:</b> 1 nos., In accordance with IEC62053-31 <b>Control inputs:</b> 1 no. (240V AC) <b>Or any combinations (max. 2)</b>



Corporate Office:

**Genus Power Infrastructures Ltd.**

(A Kailash Group Company)

SPL-3, RIICO Industrial Area, Sitapura, Tonk Road, Jaipur-302022, (Raj.), INDIA

T. +91-141-7102400/500 | F. +91-141-2770319, 7102503 | E. metering\_exports@genus.in | W. www.genus.in