



## SUGAM

1 PHASE 2 WIRE ELECTRONIC  
ELECTRICITY METER

SUGAM is a compact and light weight, intelligent single phase energy meter, designed for small commercial and domestic applications. It is available for two current range variants with class 1 accuracy. SUGAM provide utilities with powerful revenue protection features as well as data storage and communication facilities.

### SALIENT FEATURES

- Latest **ASIC** and micro controller based digital technology
- Very light weight and temper proof
- Active and apparent forward energy registers
- Maximum demand(KW/KVA) and TOD features
- Midnight and load survey data recording
- Billing and reading the meter in the absence of power supply
- No mechanical wear and tear

### APPLICATIONS



Residential



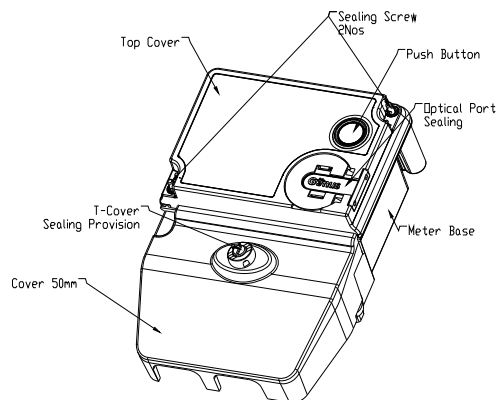
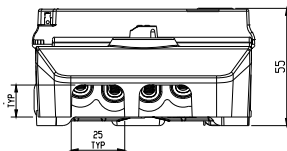
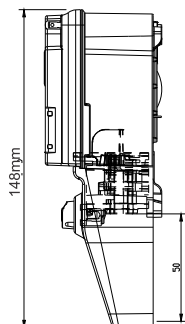
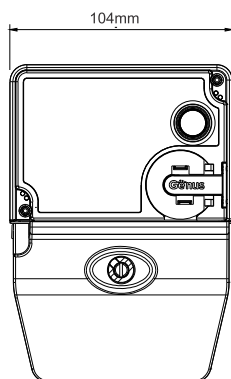
Small Industrial



Commercial  
Complexes

## TECHNICAL SPECIFICATIONS

<b>CONNECTION</b>	1 Phase 2 Wire	<b>MECHANICAL</b>	Dimensions (mm)	99.3 x 103.86 x 54.8 (HxWxL)
<b>COMPLIANCE</b>	IS 13779, IEC 62052-11, IEC 62053-21 DLMS Indian Companion Standard (IS15959)	Enclosure Material	Poly carbonate	
<b>ACCURACY</b>	Class 1.0	Degree of Protection	IP 51, with meter enclosure IP 54	
<b>POWER SUPPLY</b>	Rated Voltage* 230/240V-30% to +20% Rates Frequency 50 Hz $\pm$ 5% *Other rating available	Weight	0.360kg (approx.)	
<b>CURRENT RANGE</b>	*Other ratings / ranges available on request 5-30A, 5-60A, 10-40A, 10-60A	<b>USW</b>	Liquid welding to avoid unauthorized access	
<b>ENVIRONMENTAL</b>	Operating Temp. -10°C to +55°C Storage Temp. -25°C to +70°C Relative Humidity Up to 95% non-condensing	<b>ETBC</b>	Transparent extended 30, 50mm no side cut	
<b>DISPLAY</b>	6 Digit 7 Segment	<b>TIME CLOCK &amp; CALENDAR</b>	Normal Power Source	Main Supply
			Back-up source	Lithium Battery
			Service Life of Meter	10 Years
		<b>DATA RETENTION</b>	Unpowered	10 Years minimum
		<b>ACTIVITY INDICATOR</b>	High intensity red LED for calibration / testing	



Corporate Office:

**Genus Power Infrastructures Ltd.**  
(A Kailash Group Company)

SPL-3, RIICO Industrial Area, Sitapura, Tonk Road, Jaipur-302022, (Raj.), INDIA

T. +91-141-7102400/500 | F. +91-141-2770319, 7102503

Email: info@genus.in | W. www.genus.in