



HT CT

THREE PHASE FOUR WIRE
CT-PT OPERATED

Saksham-340 is a Three Phase Four Wire CT-PT operated, ideal suited for Advanced Metering Infrastructure (AMI) systems intended for Peak load, Power Quality Management with Multi-rate / Time-of-Use and Anti-Tampering features. These are suitable for HT consumers, Feeder meter and Boundary meter. It measures, collects, analyze, control the energy usage and communicates with Head End System (HES) both 'on request' and 'on schedule'. This gives unparalleled end-to-end visibility to the utility into their distribution networks.

SALIENT FEATURES

- Plug & Play hot swappable communication modules
- Four-quadrant metering with Import/Export registration
- Last Gasp First Breadth, Alarm/Event notification
- Firmware upgrade Over the air (FOTA)
- THD recording

APPLICATIONS



Residential



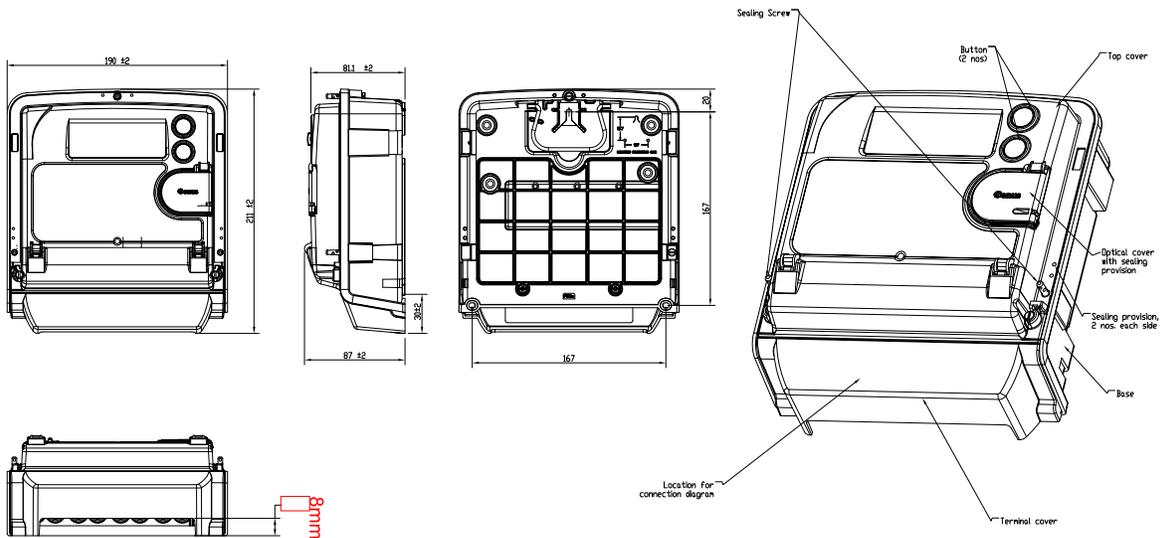
Small Industrial



Commercial
Complexes

TECHNICAL SPECIFICATIONS

CONNECTION TYPE	3Ph, 4 Wire, CT-PT operated	LED Indicators	LED pulse imp/kWh, imp/kVarh LED Network status, Tx/Rx
STANDARDS	IS 16444 Part 2, IS 15959 Part 3	Communication Ports	Optical Port IEC 62056-21 WAN Cellular 4G/2G
METROLOGY ACCURACY	Class 0.5S	Communication Protocol	DLMS COSEM Category D3
RATED VOLTAGE	3*63.5 V(P-N) or 110 V(P-P)	Operating Temperature Range	-10°C to + 55°C
RATE CURRENT	Ib 5A, I _{max} 10A I _{max} 200% of Ib	Storage Temperature Range	-25°C to + 70°C
STARTING CURRENT	5 mA (0.1% of Ib)	Relative Humidity	Up to 95% Non condensing
FREQUENCY	50 Hz + 5%	Degree of Protection IP Rating	IP 51
POWER CONSUMPTION	< 5 W / 15VA Voltage Circuit	Weight	1.5 Kg ± 200 gm
	< 1VA Current Circuit	Dimension	262x185x96 mm
DISPLAY	8 Digits 7 Segment	TOD	8 TOD register, 2 Seasons



Corporate Office:

Genus Power Infrastructures Ltd.
(A Kailash Group Company)

SPL-3, RIICO Industrial Area, Sitapura, Tonk Road, Jaipur-302022, (Raj.), INDIA

T. +91-141-7102400/500 | F. +91-141-2770319, 7102503

Email: info@genus.in | W. www.genus.in